
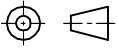


SOURCE DRAWING - FOR REFERENCE ONLY

RELATED DOCUMENTS		3RD ANGLE PROJECTION		THIS DRAWING IS CONFIDENTIAL AND THE PROPERTY OF TURCK INC. USE OF THIS DOCUMENT WITHOUT WRITTEN PERMISSION IS PROHIBITED.		 3000 CAMPUS DRIVE MINNEAPOLIS, MN 55441 1-800-544-7769 (763) 553-7300 (763) 553-0708 fax www.turck.us	
1.				DRFT CBM		DATE 09/26/01	
2.				DESCRIPTION		SM-Q21	
3.		ALL DIMENSIONS DISPLAYED ON THIS DRAWING ARE FOR REFERENCE ONLY		DSGN		SCALE 1 = 1.0	
4.				UNIT OF MEASUREMENT		IDENTIFICATION NO.	
MATERIAL		CONTACT TURCK FOR MORE INFORMATION		INCHES		REV	
FINISH				DO NOT SCALE THIS DRAWING		A5600	
A DRAWING RELEASE		CBM 10/01/01		FILE: A5600		SHEET 1 OF 1	
REV DESCRIPTION		BY DATE ECO NO.					

A	DRAWING RELEASE	CBM	10/01/01	
REV	DESCRIPTION	BY	DATE	ECO NO.